

OBSOLESCENCE NOTICE

**Notification Date: 26th October 2015**

**PCN #** MEM2060 X PCN  
20151026

**Drawing Revision Letter: X**

**Product Identification:**

The following part is obsolete: MEM2060-1-190-00-A

**Effective from date code/batch code:**

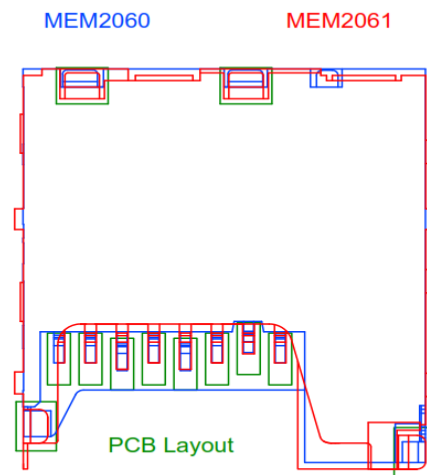
26th October 2015

**Reason for Obsolescence**

Worn tooling

**Suggested Alternatives**

MEM2061 (drop-in very close alternative, please see below PCB layout comparison)



**Required Inventory Action**

NONE

**Contact Information**

If there are any questions, comments or suggestions regarding this notice please contact GCT.

To contact GCT go to: [www.gct.co](http://www.gct.co)